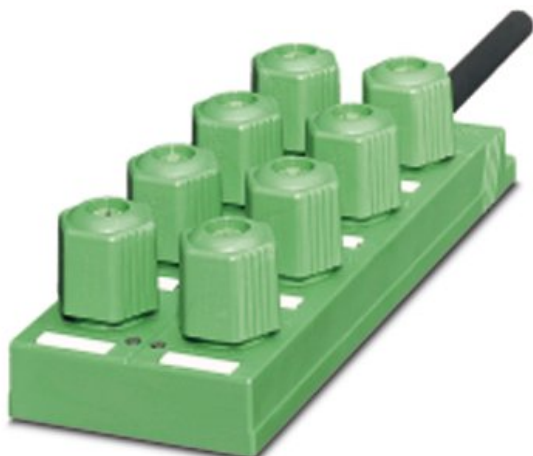


Please note that the data given here has been taken from the online catalog. For comprehensive information and data, please refer to the user documentation at <http://www.download.phoenixcontact.com>. The General Terms and Conditions of Use apply to Internet downloads.

► Extract from the online catalog



Sensor/actuator box, complete, with LED, master cable, marker and QUICKON sets

The illustration shows a version with 8 QUICKON connections

Order No.	1695223
Ord designation	SACB-4Q/4P-L- 5,0PUR
EAN	4017918177683
Pack	1 Pcs.
Customs tariff	85444190
Catalog page information	Page 149 (PC-2005)

► Technical data

General data

Nominal voltage U_N	24 V DC
Max. operating voltage U_{max}	30 V DC
Ambient temperature (operation)	-25 ° C ... 60 ° C
Ambient temperature (operation)	-25 ° C ... 50 ° C (When the conductor is connected. Specifications of the cable manufacturer must also be observed)
Degree of protection	IP65/IP67
Number of positions	4
Max. current carrying capacity per path	4 A
SACB total current	12 A
Operating current of the indicator elements	≤ 5 mA
Number of slots	4
Sensor/actuator connection system	QUICKON

Local diagnostics function

Local diagnostics	Supply voltage per module LED green
Local diagnostics	Status display I/O Yellow LED

Master cable data

Type of connection	Fixed connection
Fixed cable length	5 m
Cable type	Master cable suitable for flexible cable conduit
Ambient temperature (operation)	-30 ° C ... 90 ° C (for fixed installation)
Ambient temperature (operation)	-5 ° C ... 70 ° C (for flexible installation)
Signal line cross section, flexible	0.34 mm ²
Power supply cross section, flexible	0.75 mm ² (3x)
External diameter	8.7 mm
AWG power supply	18
AWG signal line	22

Conductor data

Structure of individual litz in acc. with VDE 0295 / smallest wire diameter	Class 2-6 // 0.34 mm ² : 0.1 mm; 0.5 - 0.75 mm ² : 0.15 mm
Wire insulation material	PVC/PE
Wire diameter incl. insulation	<= 2.5 mm
Tightening torque, union nut	2.5 Nm
Wrench size, union nut	22 mm
Note on the frequency of connections	if the conductor is connected more than once, seal and cap may need to be replaced.
Conductor cross section AWG/kcmil min.	0,34
Conductor cross section AWG/kcmil max	0,75

Insulation material

Insulating material	PA 6.6
Inflammability class acc. to UL 94	V0

► **Certificates**

CUL

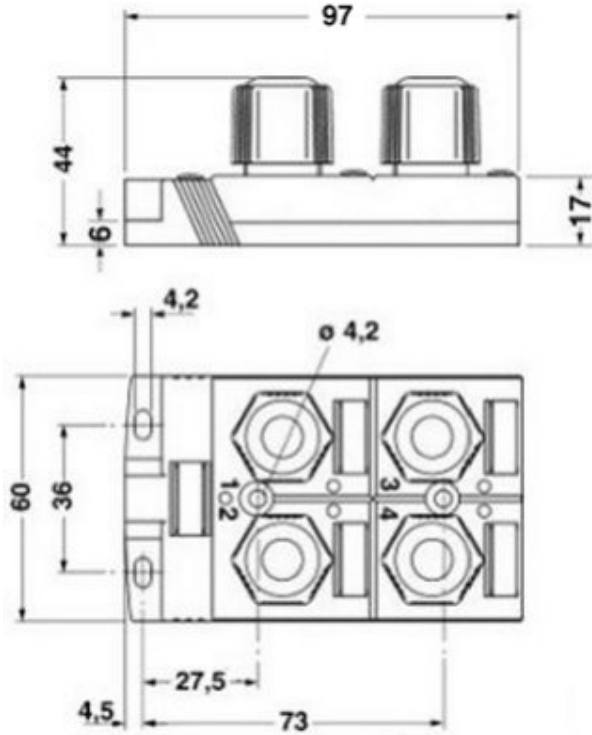
Nominal voltage U_N	24 V
AWG/kcmil	22-16

UL

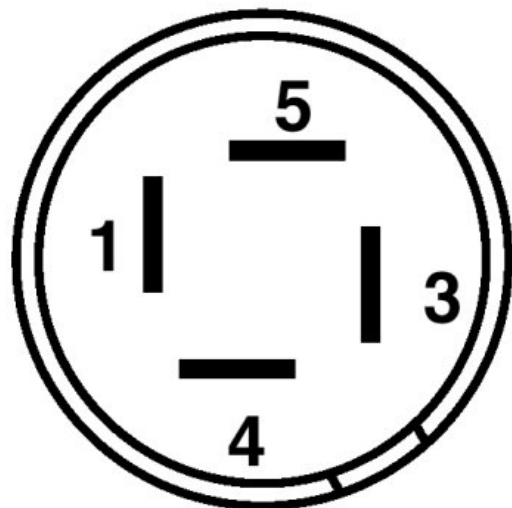
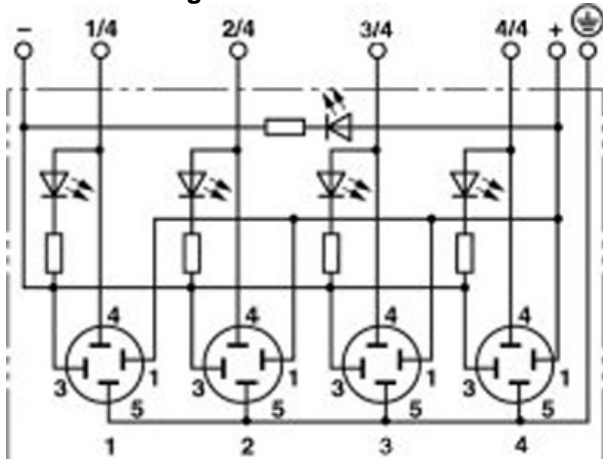
Nominal voltage U_N	24 V
AWG/kcmil	22-16

► Drawings

Dimensioned drawing



Schematic diagram



Approval logo



► Accessories

Item	Designation	Description
Assembly		
1670743	Q SET-11/4 COD1 SACB-Q	QUICKON Set, consisting of nut, cap, seal and splice ring as a replacement
1670235	Q-PROT 9/11	Sealing cap, for Pg9 / Pg11, for closing unoccupied connections
Tools		
1670206	QSS 22	Allen wrench, for loosening and fastening the QUICKON union nut, WAF 19 mm

► Address

PHOENIX CONTACT GmbH & Co. KG
Flachsmarktstr. 8
32825 Blomberg
Germany
Phone +49 5235 3 00
Fax +49 5235 3 41200
<http://www.phoenixcontact.com>
Phoenix Contact
Technical modifications reserved;